

# MUH PRO SERIES

## UNIT HEATER



### IDEAL SPACES

- Factories
- Warehouses
- Garages
- Stairwells
- Shipping Docks
- Power Stations
- Mechanical Rooms

### COLORS

- Neutral Gray/Statuary Bronze

### DIMENSIONS

- Varies (see diagram)

### TEMP RANGE

- 40°– 90°F

### CFM

- 350 – 650



Introducing the MUH PRO series Unit Heaters. Same great MUH you rely on everyday but now with added safety and control. The new MUH Pro series comes standard with:

- A disconnect switch to make maintenance a safe and easy process.
- A 24VAC transformer for safer control as well as future proofing in case a low voltage digital thermostat is desired in the future.
- A built in single stage thermostat which gives basic control right out of the box.

Benefits of the MUH PRO:

- **Safety:** The integrated disconnect switch and low voltage transformer add additional safety to the base MUH lineup. The disconnect switch gives peace of mind to the maintenance worker because the disconnect switch will cutoff incoming power to the unit so it can be easily repaired. The low voltage transformer no longer requires you to work with line voltage control for easy and safer control.
- **Better Lead Times:** The MUH PRO series heater will be a stock product so they will have the same lead times as the base MUH models we have today meaning no long wait for configured units!
- **Better Pricing:** Enjoy the benefits of the three added accessories without the full cost of a similar configured style unit.
- **Easy Setup:** All of the accessories are installed in the factory so once the product reaches your door it just needs to be wired then set via the built in thermostat and you are good to go.
- **Easily Stocked:** With all the features and product built as a stock it is easy to keep on the shelves of distributors so you can get the product right when you need it.



[www.qmarkmep.com](http://www.qmarkmep.com)

For Technical Services, Call 800-642-4328

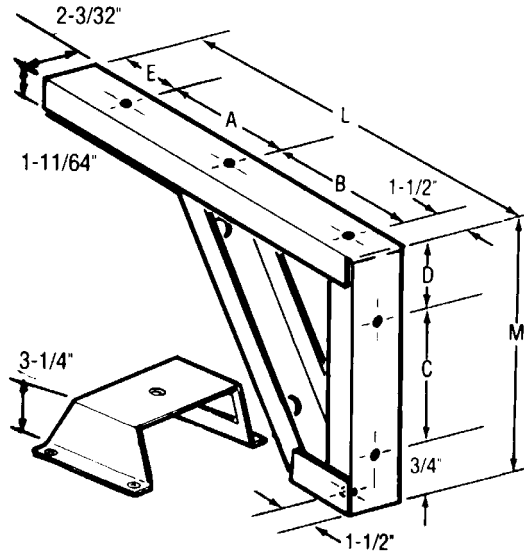
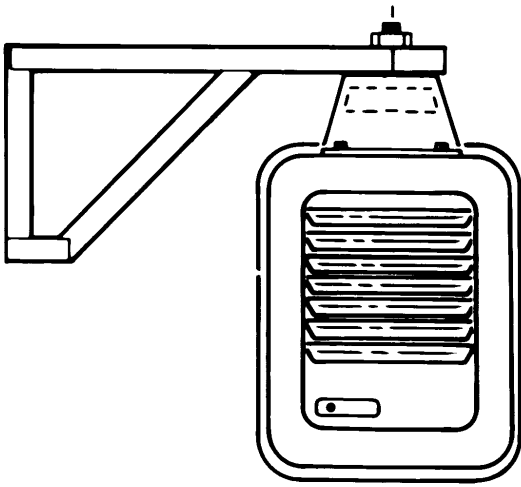
ITEM# QFLY\_MUH\_0321-1



## MUH PRO SERIES UNIT HEATER

### MODELS & SPECIFICATIONS

CATALOG NO.	UPC	ELECTRICAL DATA			AMPS	CONTROL VOLT	AIR DELIVERY DATA FAN MOTOR DATA	MECHANICAL DATA
		VOLTS	PHASE	KW			CFM	SHIP WT. (LBS.) W/ BRCKT
MUH0381-PRO	00685360173818	208	1	3	14.5	24	350	27 lbs
MUH0581-PRO	00685360173825	208	1-3	5	24	24	350	27 lbs
MUH078-PRO	00685360173832	208	1-3	7.5	36	24	650	38 lbs
MUH108-PRO	00685360173849	208	1-3	10	48	24	650	38 lbs
MUH0321-PRO	00685360173856	208/240	1	3	11.0/12.5	24	350	27 lbs
MUH0521-PRO	00685360173863	208/240	1-3	5	18.0/21.0	24	350	27 lbs
MUH072-PRO	00685360173870	208/240	1-3	7.5	27.0/31.3	24	650	38 lbs
MUH102-PRO	00685360173887	208/240	1-3	10	36.0/42.0	24	650	38 lbs
MUH0341-PRO	00685360173894	480	3	3	3.6	24	350	27 lbs
MUH0541-PRO	00685360173900	480	3	5	6	24	350	27 lbs
MUH074-PRO	00685360173917	480	3	7.5	9	24	650	38 lbs
MUH104-PRO	00685360173924	480	3	10	12	24	650	38 lbs



	3-20 kW	25-50 kW
A	7 1/4"	9 7/16"
B	9 1/2"	14 3/8"
C	7 1/4"	12 1/8"
D	11 5/16"	2 1/16"
E	2 1/4"	3"
L	20 1/2"	28 15/16"
M	9 15/16"	14 15/16"
N	3 1/4"	4 1/2"

### Optional Mounting Brackets:

	CATALOG NO.	UPC	COMPATIBILITY	SHIP WT.:
Standard	B10	685360152295	MUH03-10	8 lbs
Ceiling	CMB10	685360152363	MUH03-10	3 lbs
Vertical Ceiling	VDMB5	685360152455	MUH03-05	5 lbs

NOTE: On dual-voltage units CFM, FPM, & RPM ratings are listed at higher voltage operation. On dual-phase units maximum amp draw is listed for respective voltage.

[www.qmarkmep.com](http://www.qmarkmep.com)

For Technical Services, Call 800-642-4328

ITEM# QFLY\_MUH\_0321-1