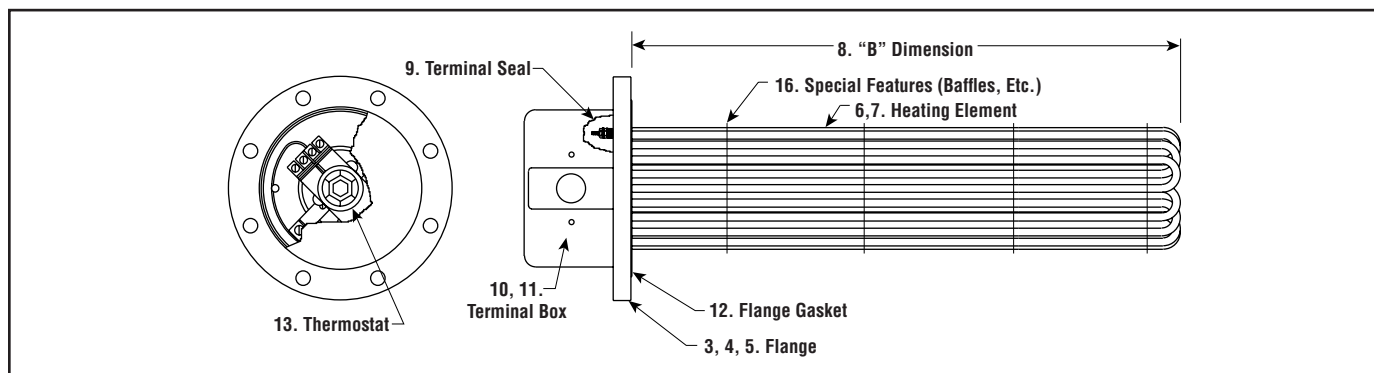


IMMERSION HEATERS

Specification Data Sheet Flanged Immersion Heaters

Customer Name: _____ Reference No.: _____ Date: _____



Note — Drawing Is For Illustration Purposes Only. Flange size, number of elements, terminal box configuration, etc. will vary according to options selected.

Operating Conditions					7. HEATING ELEMENT WATT DENSITY:
1. APPLICATION (Describe in Detail):					<input type="checkbox"/> 6.5 W/In ² <input type="checkbox"/> 15 W/In ² <input type="checkbox"/> 23 W/In ² <input type="checkbox"/> 45 W/In ² <input type="checkbox"/> Other (Specify)
2. MATERIAL HEATED (Specify):					8. HEATING ELEMENT IMMERSION LENGTH:
3. OPERATING TEMPERATURE: _____ °F					(“B”) Dimension _____ Inches:
4. OPERATING PRESSURE: _____ psig.					9. TERMINAL SEALS: <input type="checkbox"/> None <input type="checkbox"/> Silicone Fluid (500°F)
5. <input type="checkbox"/> Indoor <input type="checkbox"/> Outdoor					<input type="checkbox"/> Silicone Resin (450°F) <input type="checkbox"/> RTV (450°F) <input type="checkbox"/> Epoxy (250°F)
6. HAZARDOUS AREA ENVIRONMENT:					<input type="checkbox"/> Hermetic (Maximum 1000°F Sheath Temperature)
Class	Div.	Group			<input type="checkbox"/> Other (Specify)
7. AMBIENT TEMPERATURE: _____ °F					10. TERMINAL BOX CONSTRUCTION:
Heater Specifications (Check All That Apply)					<input type="checkbox"/> General Purpose <input type="checkbox"/> Moisture Resistant
1. RATING: Volts Phase Kilowatts T-Rating					<input type="checkbox"/> Explosion Resistant/Moisture Resistant
2. NUMBER OF ELECTRICAL CIRCUITS: <input type="checkbox"/> Standard					11. TERMINAL BOX STANDOFFS: <input type="checkbox"/> None
<input type="checkbox"/> Other: No Circuits kW/Circuit					<input type="checkbox"/> 4" <input type="checkbox"/> 6" <input type="checkbox"/> Other (Specify)
3. FLANGE SIZE (In.)/NUMBER OF HEATING ELEMENTS:					12. FLANGE GASKET: <input type="checkbox"/> Standard <input type="checkbox"/> Spiral Wound
<input type="checkbox"/> 3"/3	<input type="checkbox"/> 5"/6	<input type="checkbox"/> 6"/12	<input type="checkbox"/> 8"/18	<input type="checkbox"/> 10"/27	<input type="checkbox"/> Other (Specify)
4. FLANGE MATERIAL: <input type="checkbox"/> Carbon Steel <input type="checkbox"/> Brass					13. INTEGRAL THERMOSTAT: <input type="checkbox"/> None
<input type="checkbox"/> 304 Stainless <input type="checkbox"/> 316 Stainless Steel					14. A.S.M.E. REQUIRED: <input type="checkbox"/> Yes or <input type="checkbox"/> No If Yes, Specify:
<input type="checkbox"/> Other (Specify)					<input type="checkbox"/> Design Only <input type="checkbox"/> Design and Certify in Accordance
5. FLANGE RATING: <input type="checkbox"/> Class 150 <input type="checkbox"/> Class 300					With <input type="checkbox"/> Section I <input type="checkbox"/> Section IV <input type="checkbox"/> Section VIII
<input type="checkbox"/> Other (Specify)					15. ELECTRICAL CODES: <input type="checkbox"/> None
6. HEATING ELEMENT SHEATH MATERIAL:					<input type="checkbox"/> U.L. Listed <input type="checkbox"/> C.S.A. Certified
<input type="checkbox"/> Steel <input type="checkbox"/> Copper <input type="checkbox"/> 304 Stainless Steel					<input type="checkbox"/> Other (Specify)
<input type="checkbox"/> 316 Stainless Steel <input type="checkbox"/> INCOLOY®					16. OTHER SPECIAL FEATURES:
<input type="checkbox"/> Other (Specify)					<input type="checkbox"/> Overheat T/C Weld to Sheath, Type <input type="checkbox"/> J or <input type="checkbox"/> K
17. MODEL NUMBER:					<input type="checkbox"/> Cross-Flow Baffles
					<input type="checkbox"/> Passivation of Wetted Parts (Stainless Steel Only)
					<input type="checkbox"/> Other (Specify)