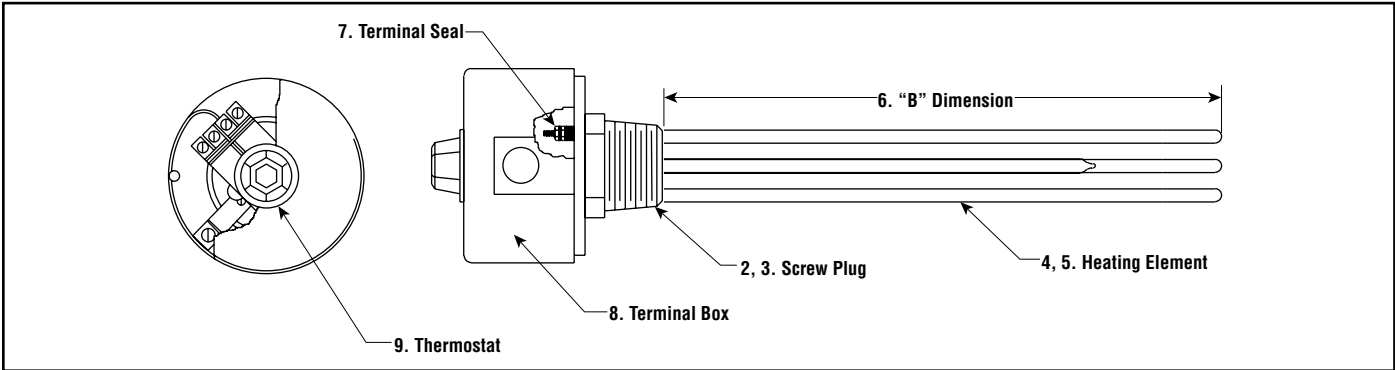


# Immersion Heaters

## Specification Data Sheet Screw Plug Immersion Heaters

Customer Name: \_\_\_\_\_ Reference No.: \_\_\_\_\_ Date: \_\_\_\_\_



**Note** — Drawing Is For Illustration Purposes Only. Screw plug size, number of elements, thermowell option, terminal box configuration, etc. will vary according to options selected.

<b>Operating Conditions</b>			<b>6. HEATING ELEMENT IMMERSION LENGTH:</b>		
<b>1. APPLICATION (Describe in Detail):</b>			("B") Dimension                                  Inches:		
			<b>7. TERMINAL SEALS:</b> <input type="checkbox"/> None <input type="checkbox"/> Silicone Fluid (500°F)		
			<input type="checkbox"/> Silicone Resin (450°F) <input type="checkbox"/> RTV (450°F) <input type="checkbox"/> Epoxy (250°F)		
			<input type="checkbox"/> Hermetic (Maximum 1000°F Sheath Temperature)		
			<input type="checkbox"/> Other ( <i>Specify</i> )		
<b>2. MATERIAL HEATED (Specify):</b>			<b>8. TERMINAL BOX CONSTRUCTION:</b>		
			<input type="checkbox"/> General Purpose <input type="checkbox"/> Moisture Resistant		
<b>3. OPERATING TEMPERATURE:</b> °F			<input type="checkbox"/> Explosion Resistant/Moisture Resistant		
<b>4. OPERATING PRESSURE:</b> psig.			<b>9. INTEGRAL THERMOSTAT:</b> <input type="checkbox"/> None		
<b>5.</b> <input type="checkbox"/> Indoor <input type="checkbox"/> Outdoor			<input type="checkbox"/> 1" and 1-1/4" Size, SPST Contacts		
<b>6. HAZARDOUS AREA ENVIRONMENT:</b>			<input type="checkbox"/> 0-127°F <input type="checkbox"/> 60-180°F <input type="checkbox"/> 60-240°F		
Class                                  Div.                                  Group			<input type="checkbox"/> 2" and 2-1/2" Size, DPST Contacts		
<b>7. AMBIENT TEMPERATURE:</b> °F			<input type="checkbox"/> 0-100°F <input type="checkbox"/> 60-250°F <input type="checkbox"/> 200-550°F		
<b>Heater Specifications</b> (Check All That Apply)					
<b>1. RATING:</b> Volts                                  Phase                                  Kilowatts			<b>10. ELECTRICAL CODES:</b>		
<b>2. SCREW PLUG SIZE (In., NPT)/NUMBER OF HEATING ELEMENTS:</b>			<input type="checkbox"/> National Electrical Code ( <i>Standard</i> )		
<input type="checkbox"/> 1"/1 <input type="checkbox"/> 1-1/4"/1 <input type="checkbox"/> 1-1/4"/2			<input type="checkbox"/> U.L. Listed		
<input type="checkbox"/> 2"/1 <input type="checkbox"/> 2"/2 <input type="checkbox"/> 2"/3 <input type="checkbox"/> 2-1/2"/3			<input type="checkbox"/> C.S.A. Certified		
<b>3. SCREW PLUG MATERIAL:</b>			<input type="checkbox"/> Other ( <i>Specify</i> )		
<input type="checkbox"/> Carbon Steel <input type="checkbox"/> Brass			<b>11. OTHER SPECIAL FEATURES:</b>		
<input type="checkbox"/> 304 Stainless Steel <input type="checkbox"/> 316 Stainless Steel			a.) <input type="checkbox"/> Temperature Limit Stop on Thermostat Set		
<input type="checkbox"/> Other ( <i>Specify</i> )			<input type="checkbox"/> at                                  °F		
<b>4. HEATING ELEMENT SHEATH MATERIAL:</b>			b.) <input type="checkbox"/> Overheat Thermocouple Welded to Element		
<input type="checkbox"/> Steel <input type="checkbox"/> Copper <input type="checkbox"/> 304 Stainless Steel			<input type="checkbox"/> Sheath Type <input type="checkbox"/> J            or <input type="checkbox"/> K		
<input type="checkbox"/> 316 Stainless Steel <input type="checkbox"/> INCOLOY®			c.) <input type="checkbox"/> Other ( <i>Specify</i> )		
<input type="checkbox"/> Other ( <i>Specify</i> )					
<b>5. HEATING ELEMENT WATT DENSITY:</b>			<b>12. MODEL NUMBER:</b>		
<input type="checkbox"/> 6 W/In <sup>2</sup> <input type="checkbox"/> 15 W/In <sup>2</sup> <input type="checkbox"/> 20 W/In <sup>2</sup>					
<input type="checkbox"/> 23-26 W/In <sup>2</sup> <input type="checkbox"/> 40-50 W/In <sup>2</sup> <input type="checkbox"/> 51-60 W/In <sup>2</sup>					
<input type="checkbox"/> 61-85 W/In <sup>2</sup> <input type="checkbox"/> Other ( <i>Specify</i> )					