



## Model F-18 Fan Specifications For Open Rafter Ceilings

Volts	Hz	Full Load Amps	Running Watts	RPM	Wt. (lbs)	ACFM
120	60	.25	31	1,550	8.1	1,061
120	60	.17	20	1,300	8.1	891
120	60	.07	8	900	8.1	616

### Description

The Air-Row F-18 is a destratification fan designed for open ceilings. This fan delivers a column of air no wider than 2-3' from as high as 40' from the ceiling to the floor and spread across the floor.

### ECM Motor

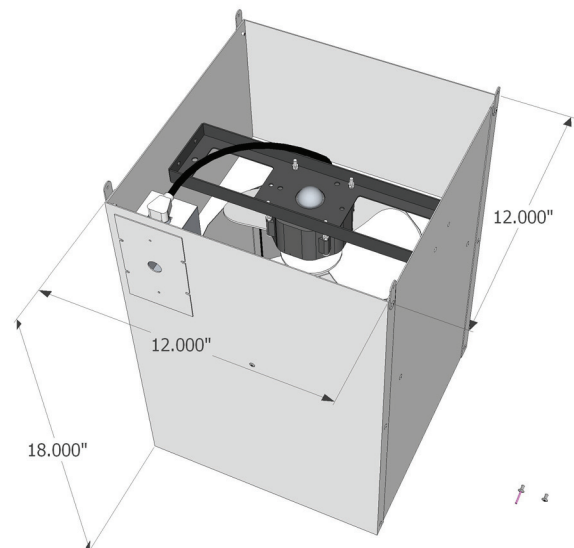
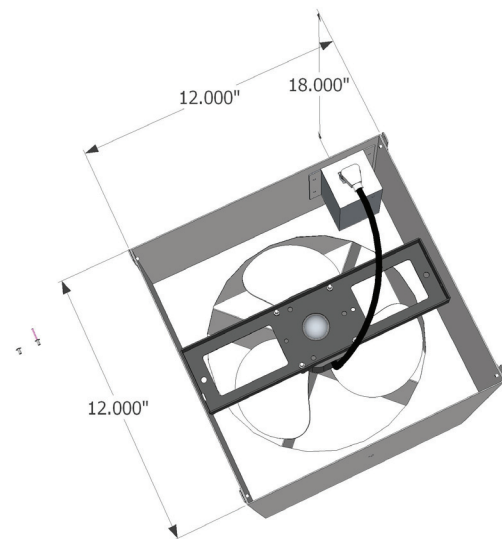
- 3-speed
- Efficiency 65-70%
- IP 55
- "Soft Start" feature
- Thermal protection
  - One shot thermal fuse
  - Built-in electronic overload protection

### Housing

- 0.40 aluminum
- Polar white

### Warranty

- Full warranty for three years
- ETL Certified USA and Canada



F18SpecRev6.15.13